

1st Floor, Above Bhairavnath Post Office,
Opp Pragati Society, Nr. Meera Cross Roads
Maninagar, Ahmedabad - 380028

Tele Fax : + 91-079-25431453, 8140179903

Website :- www.sspumpsindia.com, E-mail :- info@sspumpsindia.com.

STAINLESS STEEL CENTRIFUGAL PUMP "CFS" SERIES

DAIRY & PHARMACEUTICAL PUMP

We supply a wide array of dairy and pharmaceutical pumps, which are made from high quality rolled stainless steel. Our range of dairy and pharmaceutical pumps feature unique designs, trouble free safe and smooth operation. We also customize these pumps as per the specific requirements of clients.



APPLICATION:-

- Milk, Cream, Butter Milk Condensed Milk
- Fruit Juice, Beer, Wine, Sugar Syrup
- Vitamin Solutions, Sugar & Confectionery.
- RO Water, DM Water, Pure Water. Water for Injection (WFI)
- Vegetable Oil, Mineral Oil, Lub Oil etc.
- Pharmaceutical Formulations, Syrup etc.
- Alkaline Solution / Alcoholic Drinks.
- Acids, Fine Chemicals
- Bottling Plants, Soft Drinks & Distillery
- Food Processing / Liquid Food Stuffs
- Colour dyes and Pigments / Paints
- Descaling Applications, Paper & Cement Industries
- Water Treatment Plants
- Detergent, Soaps, Paste & Shampoo
- Textile Sizing, Dyeing & Finishing Systems
- Natural Cellulose Fiber / Synthetic Fiber System
- Hot & Cold Water Pumping.

RANGE:-

Motor HP :- 0.25 HP TO 30 HP

Head :- 04 Meters to 80 Meters

Capacity :- 04 Lpm to 2000 Lpm

FEATURES:-

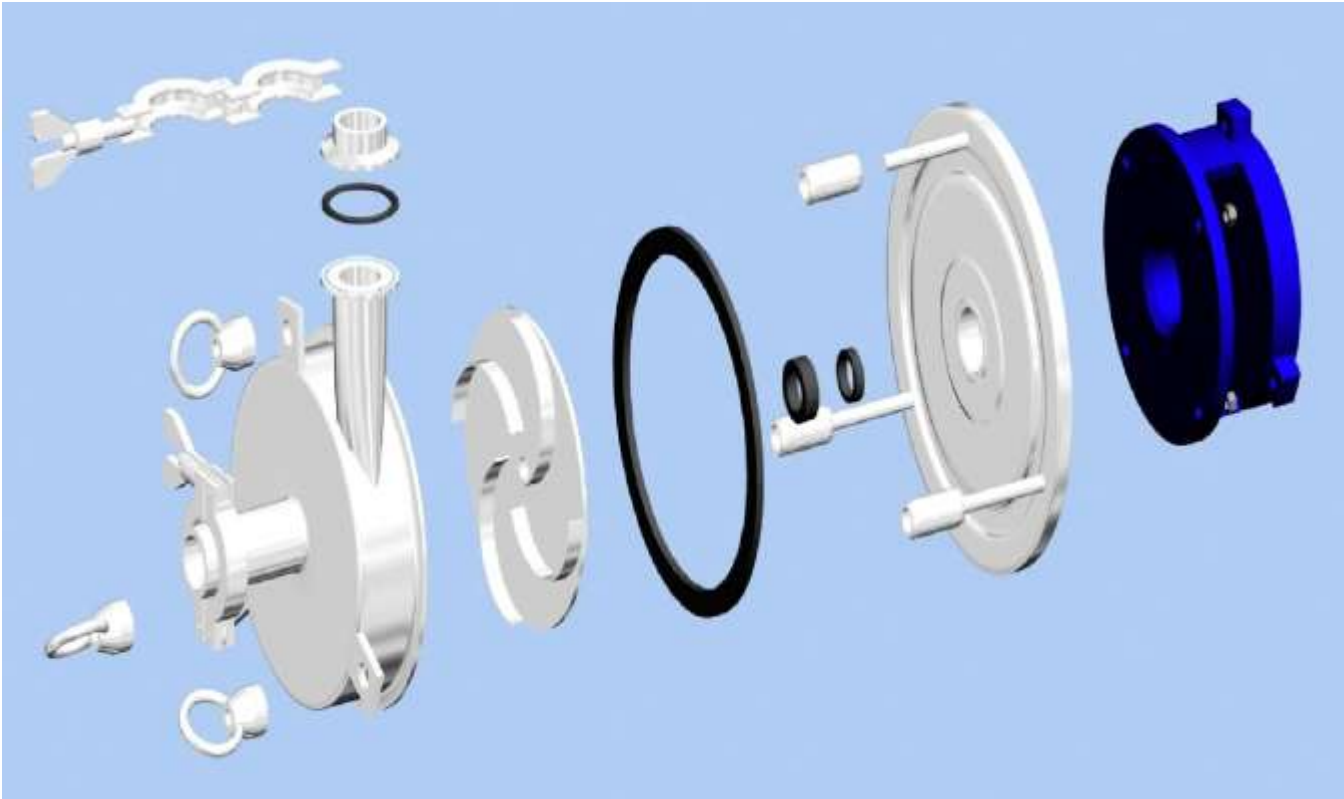
- As all pumps are made from rolled stainless steel, mechanical properties are far superior than cast material.
- Pore free, non-pitting and non-adhering smoother surface, so less friction losses, and less service corrosion.
- Super finish surface also ensure no ingress or emission of germs or impurities during pumping or idling which is basic requirement of sterile hygienic application.
- Designed for CIP (clean in place) or manual cleaning
- Pumps are highly energy efficient and requires less NPSH to function without cavitations
- Pump can handle liquids having viscosities up to 1500 centipoises
- The pumps can work under a vacuum of 720 mm of Hg, suitable for vacuum evaporators.
- Pumps are available with open/semi open impellers.
- The best elastomers are used in the pumps to provide optimum resistance for high temperatures and chemicals.
- Minimum working / rotating parts
- Safe and quite operation levels.
- Gentle product handling with lower maintenance and down line cost.
- Dynamically combinations of seal faces as per customer's requirement (single seal / double seal, seal external cooling)
- Suitable for standard motor or flange type or foot cum flange type motor or engine
- Monobloc or bare pumps or with trolley
- Also with flame proof motors
- Various types of connection like – triclove joints SMS, flanges or threaded nipple/coupling.
- Pumps with adjustable legs, available on request.

PUMPS WHICH WE DELIVER HAS:-

- Superior quality
- Value for money
- Trouble free performance
- Product customization
- Rapid delivery of both custom & standard pumps
- Higher efficiency
- Innovative design
- Responsibility of product/performance / service

MATERIAL OF CONSTRUCTION :-

Casing :- AISI 316 / 316L / 304L / 304
 Impeller :- AISI 316 / 316L / 304L / 304
 Wear Plate :- AISI 316 / 316L / 304L / 304
 Shaft :- AISI 316 / 316L / 304L / 304
 Seal :- TC/TC , SIC/SIC , SS/Carbon or even seal in special application
 Motor Cover :- SS-304 / S 202
 Gasket :- Viton / Nitrile / Silicon / PTFE



No.	Description	No.	Description
1	Eye Type Wing Nut	9	Stud S.S.
2	Triclover Joint	10	Back Plate S.S.
3	Casing S.S.	11	Bearing Bracket CI
4	Impeller Nut S.S.	12	Impeller Key S.S.
5	Impeller S.S.	13	Rotor Shaft S.S.
6	Gasket	14	Part of Triclover
7	Mechanical Seal	15	Motor Cover S.S.
8	Distance Piece S.S.	16	Motor

WATER RATING CHART :-

"CFS" SERIES																
Model	Hp	Size	Head in Metres Discharge in LPM at 2900 RPM													
			3	5	7	10	12	15	17	20	22	25	27	30	35	40
CFS-1	0.25	12 x 12	40	32	-	-	-	-	-	-	-	-	-	-	-	-
CFS-2	0.5	25 x 25	-	100	45	-	-	-	-	-	-	-	-	-	-	-
CFS-3	1	25 x 25	-	-	140	120	70	35	-	-	-	-	-	-	-	-
CFS-3A	1	38 x 38	-	-	181	95	50	-	-	-	-	-	-	-	-	-
CFS-4A	1.5	38 x 38	-	-	-	-	-	160	130	90	75	-	-	-	-	-
CFS-4B	1.5	50 x 50	-	-	-	-	250	166	85	-	-	-	-	-	-	-
CFS-5A	2	38 x 38	-	-	-	-	225	190	155	105	78	40	-	-	-	-
CFS-5B	2	50 x 50	-	-	330	250	160	80	-	-	-	-	-	-	-	-
CFS-6A	3	50 x 38	-	-	-	-	-	-	250	220	180	135	108	50	-	-
CFS-6B	3	50 x 50	-	-	-	-	-	330	300	280	225	150	85	-	-	-

Model	Hp	Size	Head in Metres Discharge in LPM at 2900 RPM								
			16	20	24	28	32	36	40	44	48
CFS-7A	5	50 x 38	-	-	260	230	190	145	90	-	-
CFS-7B	5	65 x 50	400	370	300	230	180	-	-	-	-
CFS-8A	7.5	50 x 38	-	-	290	280	250	225	190	120	60
CFS-8B	7.5	65 x 50	500	450	385	280	230	-	-	-	-
CFS-9A	10	50 x 38	-	500	480	470	450	410	350	290	190
CFS-9B	10	65 x 50	560	510	450	370	280	210	150	-	-

Note : Special Pumps for Higher Capacity and Head available on request.

