



TOUGH ENGISOL PVT LTD



1ST First floor , Bhairavnath post office building,
Maninagar, Ahmedabad-380028 India
Tele Fax : + 91-079-25431453, 8140179903.

E-mail :- coolantpumps@gmail.com , toughengisol@yahoo.com.

“TEP” WATER METER

DOMESTIC WATER METERS:-

Single Jet Class A & B, 15mm -20mm (1/2” -3/4”)

An inferential, single jet, super dry straight reading type, hermetically sealed water meter with magnetic drive.

STANDARDS:-

Complies with class A & B of IS-779/94 also ISO & EEC.

CONSTRUCTION:-

- Highly sensitive to low flow rates and very accurate over its entire flow range.
- Having low loss of head which allows water to reach upper floors.
- Sealed against tampering.
- Totaliser leakproof, totally dry.
- Long maintenance free life.
- Self lubricating gears and bearings.

OPTIONS:-

“TEP” Water meters with EEC Mark

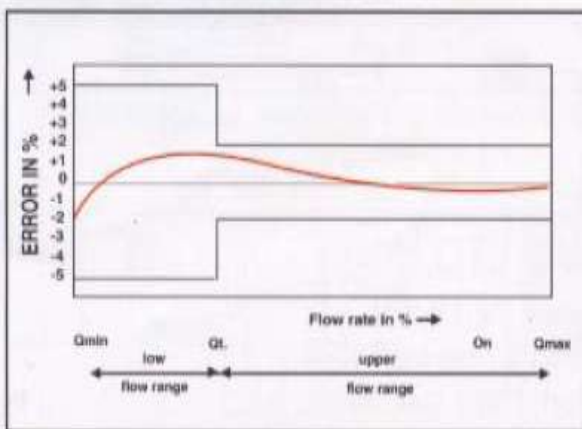
METROLOGICAL CHARACTERISTICS:-

	Accurac	15mm		20mm	
		CL-A	CL-B	CL-A	CL-B
Starts Registration at l/h	-	16	14	20	18
Lower limit of flow, Q _{min} l/h	±5%	60	30	100	50
Transitional flow Q _t l/h	±2%	150	120	250	200
Nominal flow Q _n l/h	±2%	1500	1500	2500	2500
Maximum flow, Q _{max} l/h	±2%	3000	3000	5000	5000
Test Pressure MPa		2			
Temperature suitability °C		60°C			
Dial Registration kl		99999			
Smallest reading l		0.2			

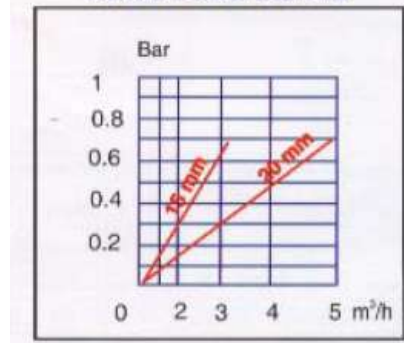


Description	15 mm	20 mm
Meter threads (A)	3/4” BSP	1” BSP
End connection threads (B)	1/2” BSP	3/4” BSP
Length of meter with couplings (L)	250 mm	290 mm
Length of meter without coupling (D)	110mm	165 mm
Height (C)	76 mm	78 mm
Width (E)	72 mm	72 mm
Weight with couplings	780 gms	900 gms

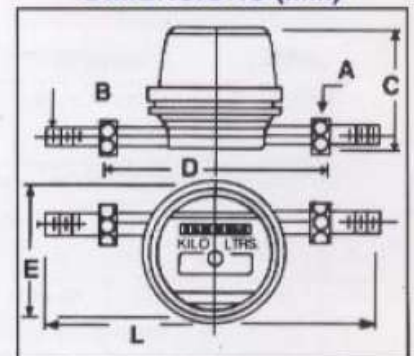
ACCURACY CURVE



HEAD LOSS CURVE



DIMENSIONS (MM)



DOMESTIC WATER METERS:-

Multi Jet Class B, 15mm -40mm (1/2" - 1 1/2")

An inferential, Multijet, dry type water meter with magnetic drive and vacuum sealed register.

STANDARDS:-

Conforms to ISO -4064 , Class B.

CONSTRUCTION:-

- Highly sensitive to low flow rates and very accurate over its entire flow range.
- Low head loss.
- Vacuum Sealed, leak proof and try Totaliser.
- Self – lubricating gears.
- Long maintenance free working life.

OPTIONS:-

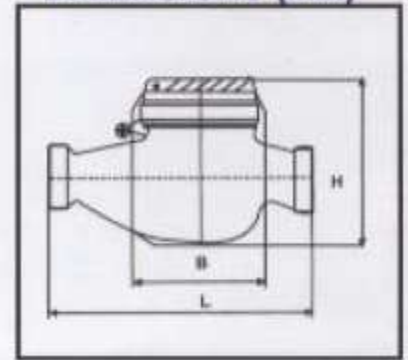
- Remote reading facility/pulse output available on request.
- Hot Version available up to 90°C

METROLOGICAL CHARACTERISTICS:-

	<u>Accurac</u>	<u>15mm</u>	<u>20 mm</u>	<u>25mm</u>	<u>40 mm</u>
		CL-B	CL-B	CL-B	CL-B
Lower limit of flow, Q _{min} l/h	±5%	30	50	70	200
Transitional flow Q _t l/h	±2%	120	200	280	800
Nominal flow Q _n l/h	±2%	1500	2500	3500	10000
Maximum flow, Q _{max} l/h	±2%	3000	5000	7000	20000
Test Pressure MPa		2			
Temperature suitability °C		50°C			
Dial Registration kl		99999			
Smallest reading lts.		0.05			0.5



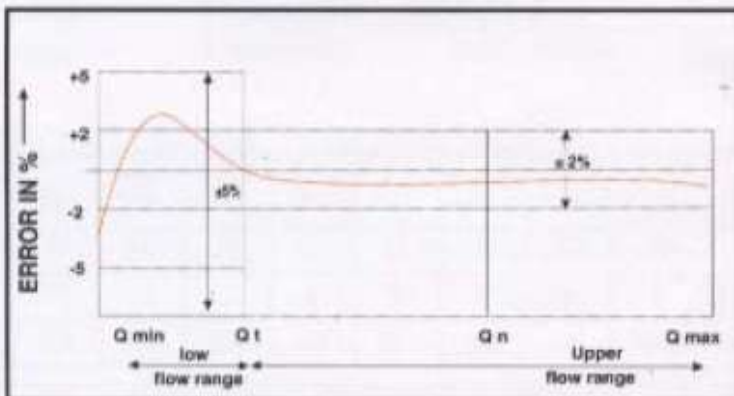
DIMENSIONS (MM)



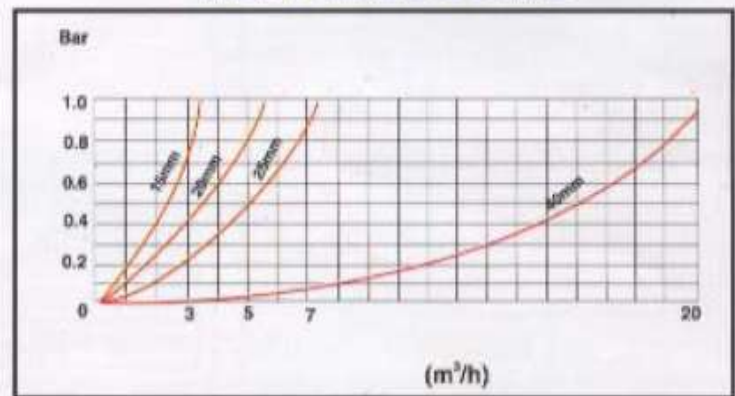
<u>Description</u>	<u>15 mm</u>	<u>20 mm</u>	<u>25 mm</u>	<u>40 mm</u>
Meter thread	3/4" BSP	1" BSP	1 1/4" BSP	2" BSP
End connection threads	1/2" BSP	3/4" BSP	1" BSP	1 1/2" BSP
Length of meter with couplings	250 mm	290 mm	380 mm	430 mm
Length of meter without coupling L	165mm	195mm	225 mm	245 mm
Height H	110 mm	113 mm	115 mm	155 mm
Width B	96 mm	96 mm	100 mm	124 mm
Weight with couplings	1.49 kg.	1.80 kg.	2.10 kg.	5.50 kg.



ACCURACY CURVE



HEAD LOSS CURVE



WOLTMANN WATER METERS:-

50mm -500mm (2" - 20")

A removable mechanism type Woltmann water meter with magnetic drive and vacuum sealed register.

STANDARDS:-

Conforms to ISO 4064 , Class-B

APPLICATION:-

Water Distribution Network industrial / Commercial water supply

FEATURES:-

- Leak proof and sealed totaliser.
- Magnetic drive.
- Repairable without interrupting water supply.
- Removable mechanism ensures easy maintenance.
- Totaliser protected by metallic cover.
- Reliable sensitive metrology and low pressure loss.



OPTIONS:-

- Hot water meters (<90°C)
- Pulse output water meters.
- Water meter with EEC Mark
- Water meters suitable for ETP/Dirty water.
- Dirt Box (50 mm to 500 mm)

METROLOGICAL PERFORMANCE:-

Size of meter		Acc %	50 mm	65 mm	80 mm	100 mm	150 mm	200 mm	250 mm	300m m	400m m	500 mm
Minimum flow Q min	m3/h	±5%	0.45	0.75	1.20	1.80	4.50	7.50	12	18	30	45
Transitional flow Qt	m3/h	±2%	3	5	8	12	30	50	80	120	200	300
Nominal flow Qn	m3/h	±2%	15	25	40	60	150	250	400	600	1000	1500
Maximum flow Q max	m3/h	±2%	30	50	80	120	300	500	800	1200	2000	3000
Minimum Reading	m3		0.0002	0.0002	0.0002	0.0002	0.002	0.002	0.002	0.002	0.1	0.1
Maximum Reading	m3		999999	999999	999999	999999	9999999	9999999	9999999	9999999 9	9999999 9	9999999
Temperature Suitability	°C		50°C									
Working Pressure	Mpa		≤1.6 Mpa									

DIMENSIONS:-

Size of meter	50 mm	65 mm	80 mm	100 mm	150 mm	200 mm	250 mm	300m m	400m m	500 mm
Length (L) mm	200	200	225	250	300	350	450	500	600	800
Height (H) mm	232	242	252	262	325	352	470	492	631	740
Weight kg	10.6	12.6	15.4	18.6	31.6	46	94	114	199	340



FLANGE DETAILS:-

Size of meter	50 mm	65 mm	80 mm	100 mm	150 mm	200 mm	250 mm	300 mm	400 mm	500 mm
Bolt Circle (ØD)mm	125	145	160	180	240	295	355	410	515	620
Dia of Flange hole	16	16	19	19	23	23	28	28	24	24
Number of Bolts	4	4	8	8	8	8	12	12	16	20
Flange outer dia (ØD) mm	165	185	200	220	220	340	395	445	565	670

