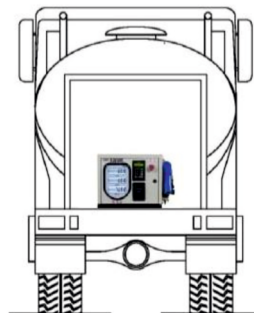
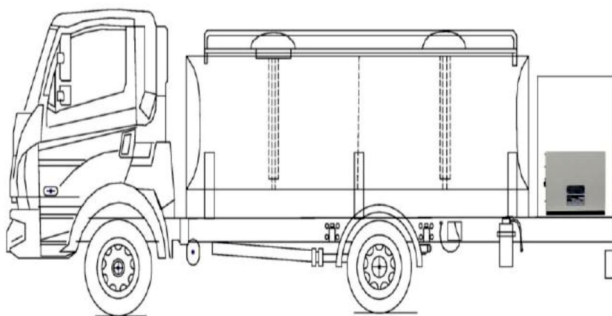


FLOW SCOPE (ELECTRONIC)



FEATURES

- ACCURACY: $\pm 0.1\%$ (OUTPUT VOLUME > 99.9% OF INPUT VOLUME) .
- POSITIVE DISPLACEMENT METER .
- REPEATABILITY 100% .
- FLOW RATE : 5 TO 60 LPM .
- ELECTRONIC REGISTER UNIT WITH 6 DIGIT LCD DISPLAY .
- THERE IS AN INBUILT PRINTER BY WHICH ONE CAN PRINT THE BILL AFTER EACH DELIVERY .
- THE RATE OF THE FUEL CAN BE SET VERY EASILY WITH THE HELP OF THE KEYPAD .
- THE CLOCK CAN BE SET IN 24H FORMAT WITH THE HELP OF THE KEYPAD .
- THE COMPANY NAME , ADDRESS , CONTACT NUMBER, EMPLOYEE ID, NOZZLE ID ,FUEL TYPE , DENSITY OF THE FUEL CAN BE SET WITH HELP OF KEY PAD WHICH CAN BE PRINTED ON THE BILL .
- MEASURES, MONITORS THE EXACT VOLUME OF LIQUID SPECIALLY PETROLEUM PRODUCTS LIKE LDO , HSD , KEROSENE ,FURNACE OIL , BIO DIESEL ETC. FUNCTIONS EQUALLY IN STATIC OR MOBILE CONDITIONS IN URBAN , SUBURBAN & RURAL AREAS .

VOLUMETRIC FLOW METER (ANALOG)



FEATURES

- POSITIVE DISPLACEMENT METER
- ACCURACY : $\pm 0.1\%$
- FLOW RATE : UP TO 90 LPM
- REPEATABILITY : 100%
- TOTALIZER : 8 DIGIT (99,99,999.9 NON REVERSIBLE)
- EASY INSTALLATION & MAINTENANCE
- PREVENT WASTAGE TO HIGH EXTENT
- EASY FOR FIELD CALIBRATION
- WORKABLE FOR LONG TIME
- FUNCTIONS IN STATIC OR MOBILE CONDITIONS
- CAN REACH CUSTOMERS DOOR STEPS

